

# GALASY 8000 Installation

## Notice

-  Please read through and follow with the installation instructions.
-  Make sure the surge protector and ground wire was installed correctly. Do not turn on power before installation is completed to prevent from electric shock or device failure.
-  Make sure the input voltage matches with the scope range.
-  Working Temperature:  $-40^{\circ}\text{C} \sim 45^{\circ}\text{C}$   
Storage Temperature:  $-40^{\circ}\text{C} \sim 80^{\circ}\text{C}$

- Do not tear off the warranty label, self-disassemble or self-repair lamps, and do not install with and Non-OEM parts.
- Make sure no wire is worn off before installation. Do not cascade with other electrical devices.
- Be aware of sharp edges of lamp when installing. Make sure lamp is installed tightly to avoid fall-off.
- Do not bolt-lock the driver directly to the back of lamp.
- Please use solvent-free purgers to clean the surface of lamp.
- Please use the original carton of lamps when storage or shipping. Do not fall and press.

## Trouble Shooting

Problems	Causes	Solutions
Lamp dose not light on	Power is not turned on	Check if power is turned on
	Series wire is not connected correctly	Check series wire is connected correctly
	Damage of lamp or drive	Please connect lamp with functional driver first. If lamp is able to light on, this turns to failure of driver. If lamp is not able to light on, this turns to failure of lamp, and please contact with sales points for repair.
	Driver Lock	When a short circuit occurs, driver will automatically shut down the output for protection. Please reconnect the lamp to other power supply circuit for testing. Please solve the short circuit problem.
Lamp dose not light on / Partial shadow is found	Led illuminatnt failure	Please contact with sales stores, dealers or distributors.

## Warranty

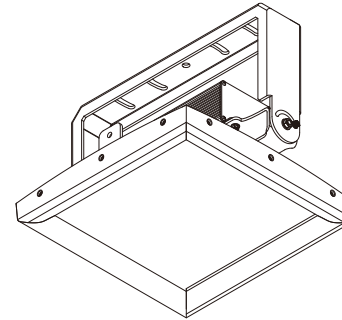
1. Please report for repair with receipt when lamp failure causes during warranty period in proper use.
2. Warrant voids if :
  - \* Lamp failure casues during warranty period without correct electrical connection and proper installation.
  - \* Lamp uses Non-OEM driver.
  - \* Self-disassembly / self-modification / warranty and product label tear-off or wear-off.
  - \* Lamp failure causes by fall-off, inadequate storage keeping or damages cause in shipping.
  - \* Lamp failure causes by natural disaster, earthquake and pest and rodent disease damage.
  - \* Areas might cause lamp corrosion. For examples, humid, sulfur, seaside area and on board.
3. Please contact headquarter for more information or consut information of website.

## Specification

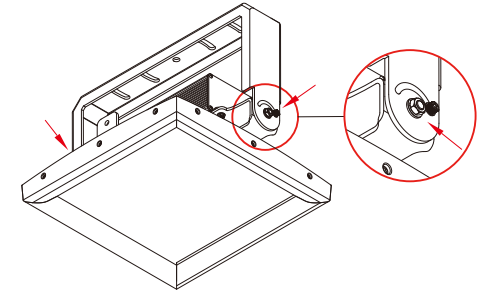
- Material : Die-casting aluminum alloy+PC
- AC Input : AC90~305V
- Weight(Driver included)(KG) : Reference to the model.
- Installation Height : According to the model.
- Working Temp :  $-40^{\circ}\text{C} \sim 45^{\circ}\text{C}$
- IP Rating : IP66

## Installation

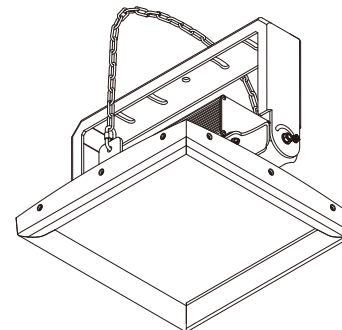
- 1 Can be installed in horizontal or vertical. Add rubber gasket between the bracket and fixing surface if possible. The screw and hex nut need to be leveled.



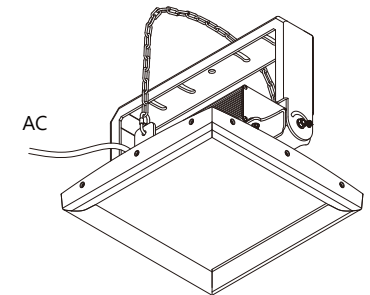
- 2 Adjust the lamp direction to appropriate tiltlevel. **Caution: Make sure to lock (or set) the screw (or bolt) and nut properly.**



- 3 Make sure anti-drop chain be properly secured.



- 4 Complete.



# GALASY 8000 安裝手冊

## ⚠ 使用前注意事項

-  燈具安裝請確實參照說明書進行
-  安裝時，請注意雷擊保護器及接地安裝是否確實，妥善安裝完後，再行送電，避免觸電危險。
-  輸入電壓須符合說明書上標示範圍
-  使用溫度: -40°C ~ 45°C  
保存溫度: -40°C ~ 80°C

- 請勿撕除本產品保固及製造標籤、自行拆卸、修整燈具或加裝零件。
- 安裝前請確認產品完整性，無破損或電線破皮始得安裝，且不得串接其他電器設備。
- 安裝時請注意燈具週邊銳角，且安裝需確實穩固，防止脫落傷人。
- 驅動器建議勿直接鎖附於燈具背面。
- 清潔時，請勿使用溶劑，以柔軟布料輕拭即可，避免破壞燈具表面。
- 保存及運送時，需使用原裝紙箱加以保護，切勿重摔、重壓。
- 燈具安裝為高空作業時需遵循相關法規。

## 簡易故障排除

發生問題	可能起因	建議排除方法
燈具不亮	未開電源	檢查電源是否開啟
	串接線或電源線未接受	檢查串接線與電源線是否接受
	燈具或驅動器損毀	請先將燈具接上可正常運作之驅動器，若燈具可正常點亮，即可判斷為驅動器故障；若燈具無法正常點亮，即為燈具故障，煩請將故障品予銷售點報修
	電源驅動器鎖住	當接線短路時，電源會啟動保護機制，關閉輸出。請將燈具接至其它正常供電迴路做測試，並請排除接線問題。
燈具出現局部暗影或不亮	LED光源故障	請連繫銷售據點報修

## 產品保固

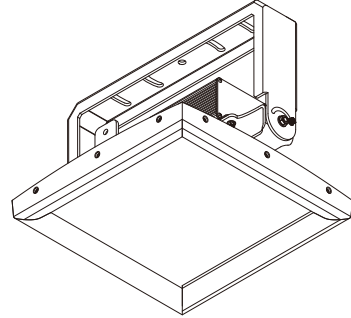
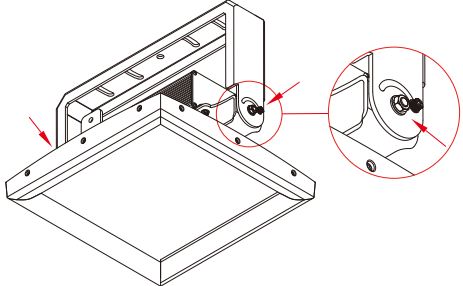
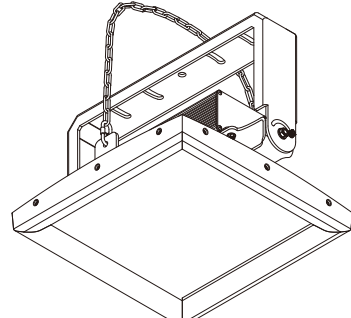
- 產品保固
1. 保固內容：正常使用下，保固期間內故障，須將故障品與發票一併報修。
  2. 保固期內，因以下情形造成故障，恕不提供保固：
    - 未依規範電氣規格、使用環境、安裝方式及注意事項使用本產品者。
    - 未使用本產品之專用驅動器者。
    - 經自行拆修、改裝...等人為破壞或保固及製造標籤撕除、破損者。
    - 購買後因運送、摔落、保存不當...等造成故障者。
    - 因天災、地震、蟲鼠害...等導致故障者。
    - 特殊環境不保證，如潮濕、硫磺區、海邊及船上等容易腐蝕地區。
  3. 其它未詳盡之處，請參考總公司網站或來電洽詢。

## GALASY 8000 規格內容

- 燈具材質：全鋁散熱器+PC光學透鏡
- 額定輸入電壓：AC90~305V
- 燈具重量(含驅動器)(KG)：請參照各型號規格說明
- 安裝高度：請依不同型號之適用高度安裝

- 允許操作溫度範圍：-40°C ~ 45°C
- 防塵防水等級：IP66

## GALASY 8000 安裝步驟

- 1** 依照現場安裝需求，將燈具固定。  

- 2** 燈具方向調整完成後，請務必將支架上的法蘭螺帽鎖緊。  

- 3** 將防墜鋼鍊固定於適當位置。  

- 4** 完成。  
