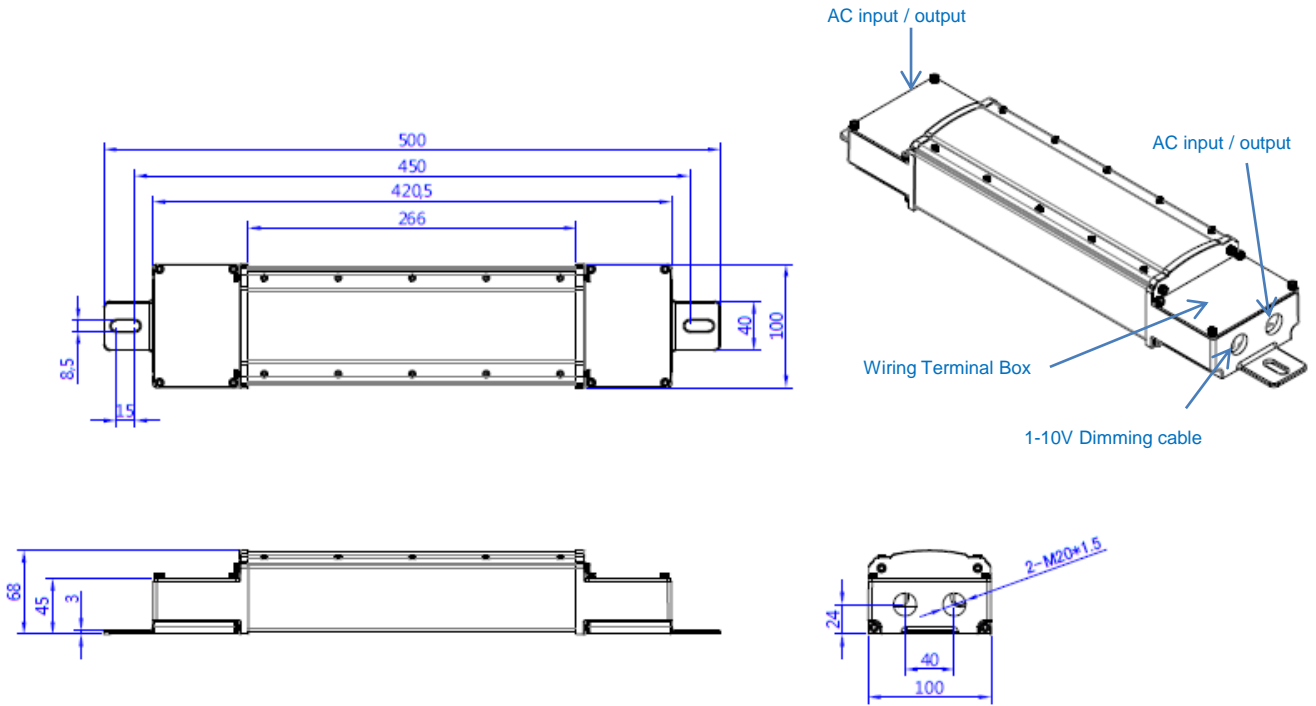


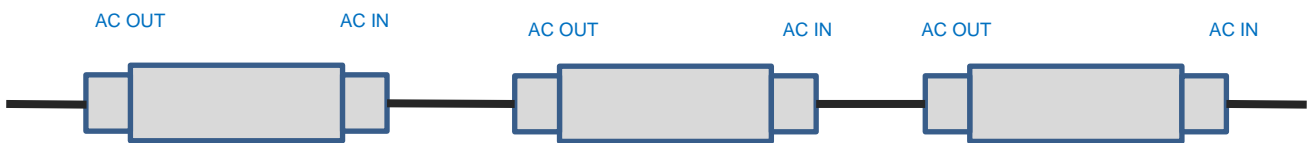


Tarvos Specification				
Model No.	TAR20XS TAR20XSWS	TAR20S TAR20SWS	TAR40S TAR40SWS	TAR40L TAR40LWS
System Watts	15~27W±3%	27W~32W±3%	35W~42W±3%	42W~45W±3%
LED Chip	OSRAM			
CRI	≥82			
LED nos.	32 pcs	32 pcs	64 pcs	64 pcs
Luminous flux (Cool White)	≥2,800 lm	≥2,800 lm	≥4,300 lm	≥4,300 lm
Drivers /Input	MeanWell XLG-25,	MeanWell XLG-25	MeanWell XLG-50	MeanWell XLG-50
AC Input	AC 90~305V, support 1 AC in, 1 AC out			
Driver nos.	x1 Driver, 0-10V Dimmable, Support Emergency Battery Box			
Dimming(mm)	498x100x65	660x100x65	660x100x65	1260x100x65
IP Rating	IP66			
Color Temp.	3000K/ 4000K/5000			
Beam Angles	135°/ 40° (Type C/ Semi-Cutoff) Or No Lens: (120°, TAR20XSWS, TAR20SWS, TAR40SWS, TAR40LWS)			
Heat-sink	Extrusion Aluminum + PVDF Coating (Silver), Anti-Corrosion 316 Stainless Screws			
Cover	PC, Transparent or colorful (optional)+316 Stainless Screws			
Side Cover	Die-Casting Aluminum + PVDF Coating(Silver), Anti-corrosion 316 Stainless Screws 20mm Cable Gland Holes			
Dimensions	Please see final drawing			
Weight	2.7~2.9 kg	3.5~3.9 kg	3.9~4.3 kg	5.2~5.6 kg
Operation Temp.	-40°~60°C			
Life Span	≥50,000hrs			
Warranty	5 Years			
Country of Origin	Taiwan			

Dimensions & Open holes specification



Lamps connected in serial is available
(Max. lamps connected depends on breaker capacity)



Optical Distribution

